

NAMEPLATE LIST-PANEL 1

NAMEPLATE NO.	MAT'L. SIZE	CHAR. SIZE	LINE #1	LINE #2	LINE #3	QTY
100	2" X 5"	1/4"	69KV BUS OFF	B.F. & CAP. BANK	RELAYING	1
101	1" X 3"	3/16"	RELAY	COMMUNICATIONS	INTERFACE	1
102	1" X 3"	3/16"	BUS DIFFERENTIAL	87B		1
103	1" X 3"	3/16"	BREAKER FAILURE	& CAP. BANK OC	50/51	1
104	1" X 3"	3/16"	CAP. BANK OC	50N/51N		1
105	1" X 3"	3/16"	69KV BUS	VOLTS		1
106	1" X 3"	3/16"	52CS			1
107	1" X 3"	3/16"	43L/R			1
108	1" X 3"	3/16"	BUS DIFFERENTIAL	LOCKOUT	88B	1
109	1" X 3"	3/16"	BREAKER FAILURE	LOCKOUT	88BF	1
110	1" X 3"	3/16"	88BTS	TRIP DISCONNECTS		1
111	1" X 3"	3/16"	88BTS	TRIP DISCONNECTS		1
112	1" X 3"	3/16"	87BTS	BUS DIFFERENTIAL		1
113	1" X 3"	3/16"	BTS	50/52		1
114	1" X 3"	3/16"	50N/51N TS1	CAP. BANK OC		1
115	1" X 3"	3/16"	50/51 TS1	CAP. BANK OC		1
116	1" X 3"	3/16"	50N/51N TS2	TRIP DISCONNECTS		1
117	1" X 3"	3/16"	50/51 TS2	TRIP DISCONNECTS		1

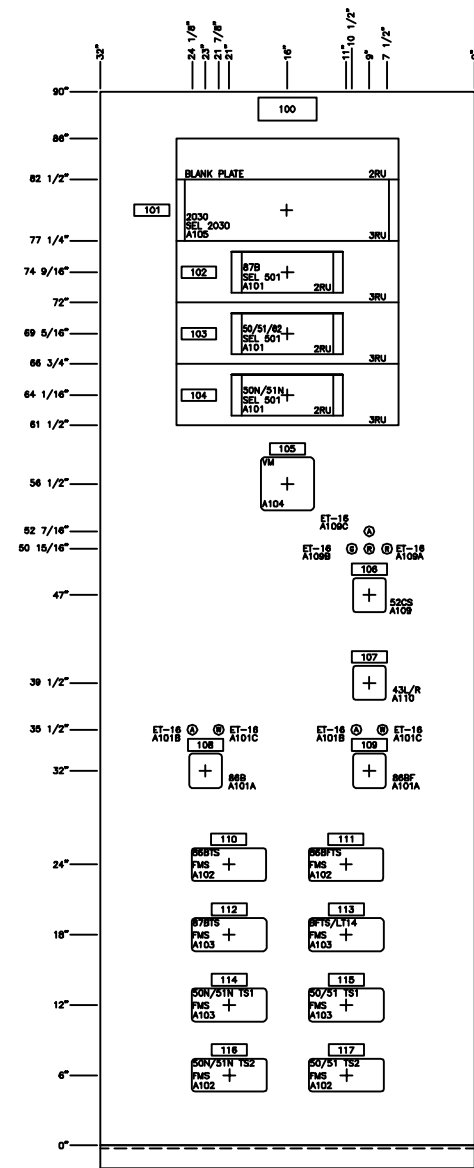
NAMEPLATE LIST-PANEL 2

NAMEPLATE NO.	MAT'L. SIZE	CHAR. SIZE	LINE #1	LINE #2	LINE #3	QTY
200	2" X 5"	1/4"	69KV LINE	RELAYING		1
201	1" X 3"	3/16"	LINE DISTANCE	RELAY		1
202	1" X 3"	3/16"	LINE DISTANCE	RELAY		1
203	1" X 3"	3/16"	21/L3	52CS		1
204	1" X 3"	3/16"	21/L4	52CS		1
205	1" X 3"	3/16"	43L/R			1
206	1" X 3"	3/16"	43L/R			1
207	1" X 3"	3/16"	21TS-1/L1	311C-LINE		1
208	1" X 3"	3/16"	21TS-1/L2	311C-LINE		1
209	1" X 3"	3/16"	21TS-2/L1	311C-LINE	TRIP DISCONNECTS	1
210	1" X 3"	3/16"	21TS-1/L2	311C-LINE	TRIP DISCONNECTS	1
211	1" X 1.5"	3/16"	LOW	AR		1
212	1" X 1.5"	3/16"	LOW	SP8		1

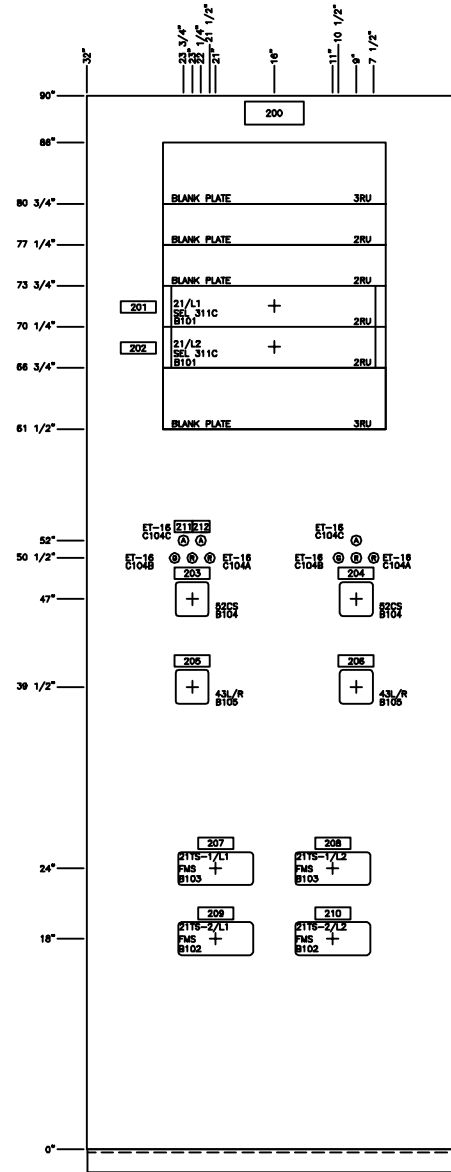
NAMEPLATE LIST-PANEL 3

NAMEPLATE NO.	MAT'L. SIZE	CHAR. SIZE	LINE #1	LINE #2	LINE #3	QTY
300	2" X 5"	3/16"	69KV LINE	RELAYING		1
301	1" X 3"	3/16"	LINE DISTANCE	RELAY		1
302	1" X 3"	3/16"	LINE DISTANCE	RELAY		1
303	1" X 3"	3/16"	52CS			1
304	1" X 3"	3/16"	52CS			1
305	1" X 3"	3/16"	43L/R			1
306	1" X 3"	3/16"	43L/R			1
307	1" X 3"	3/16"	21TS-1/L3	311C-LINE		1
308	1" X 3"	3/16"	21TS-1/L4	311C-LINE		1
309	1" X 3"	3/16"	21TS-2/L3	311C-LINE	TRIP DISCONNECTS	1
310	1" X 3"	3/16"	21TS-2/L4	311C-LINE	TRIP DISCONNECTS	1

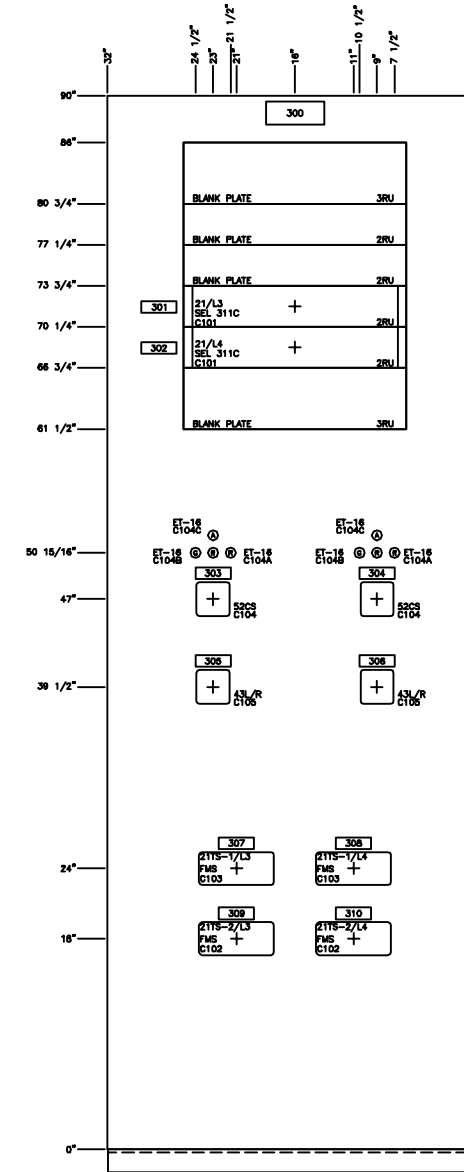
1.) NAMEPLATES SHALL BE BLACK LETTERING WITH WHITE BACKGROUND.
2.) EACH NAMEPLATE WILL BE FASTENED TO THE PANEL WITH ADHESIVE TAPE.



PANEL 1
BUS DIFFERENTIAL, B.F. & CAP. BANK



PANEL 2
69 KV LINES L1 & L2



PANEL 3
69 KV LINE L3 & L4

REV	DESCRIPTION	DATE	DFTR	ENG	REV	DESCRIPTION	DATE	DFTR	ENG
3					6				
2					5				
1					4				

ENGINEERED BY:
DATE:
DRAFTED BY:
DATE:



ELECTRICAL POWER PRODUCTS
DES MOINES, IA
(515)262-8161
www.ep2.com

ELECTRICAL POWER PRODUCTS
CLOSED CUBICLE 32" X 30"
LAYOUT DIAGRAM

EP2 DWG. NO.	REV. NO.
L1	0

SCALE: 1:8 SHT. 1 of 1